

Project Name: \_\_\_\_\_  
 Location: \_\_\_\_\_  
 Engineer: \_\_\_\_\_  
 Submitted to: \_\_\_\_\_  
 Submitted by: \_\_\_\_\_  
 Reference: \_\_\_\_\_

Approval: \_\_\_\_\_  
 Date: \_\_\_\_\_  
 Construction: \_\_\_\_\_  
 Unit #: \_\_\_\_\_  
 Drawing #: \_\_\_\_\_

### Performance

Indoor Unit Model No: Mixed  
 Outdoor Unit Model No: RXYMQ48PVJU  
 Cooling Capacity (Btu/hr): 47500  
 Sensible Capacity (Btu/hr): 0  
 Cooling Input Power (kW): \_\_\_\_\_  
 Cooling EER (Btu/hr / kW): 9.0  
 SEER: 14.2  
 Heating Capacity (Btu/hr): 52500  
 Heating Input Power (kW): \_\_\_\_\_  
 Heating COP (Btu/hr / Btu/hr): 2.7  
 HSPF: 9

Indoor Unit Type: \_\_\_\_\_  
 Condensing Unit Type: VRV-III-S Heat Pump  
 Cooling Nominal Conditions: Indoor: 80°F DB/67°F WB  
 Outdoor: 95°F DB/75°F WB  
 Water Cooled: 85  
 Heating Nominal Conditions: Indoor: 47°F DB/43°F WB  
 Outdoor: 47°F DB/43°F WB  
 Water Cooled: 70  
 Nominal Piping Length: 25  
 Nominal Height Separation: 0  
 Nominal Water Flow Rate: \_\_\_\_\_

### Indoor Unit Details

Power Supply (V/Hz/Ph): N/A  
 Power Supply Connections: \_\_\_\_\_  
 Min. Circuit Amps MCA (A): \_\_\_\_\_  
 Max. Fusible Amps MFA (A): \_\_\_\_\_  
 Dimensions (HxWxD): N/A  
 Panel (HxWxD): N/A  
 Net Weight (lbs): \_\_\_\_\_  
 Weight with Panel (lbs): \_\_\_\_\_

Airflow Rate (CFM wet coil): N/A  
 Moisture Removal (pt/h): \_\_\_\_\_  
 Gas Pipe Connection (inch): \_\_\_\_\_  
 Liquid Pipe Connection (inch): \_\_\_\_\_  
 Condensate Connection (inch): \_\_\_\_\_  
 Sound Pressure Level (dBA): \_\_\_\_\_  
 Sound Power Level (dBA): \_\_\_\_\_  
 Nominal External Static Pressure (inH2O): \_\_\_\_\_  
 Max Ext Static Pressure (inH2O): \_\_\_\_\_

### Condensing Unit Details

Power Supply (V/Hz/Ph): 208-230/60/1ph  
 Power Supply Connections: L1, L2, Ground  
 Min. Circuit Amps MCA (A): 27  
 Max. Fusible Amps MFA (A): 30  
 Max. Starting Current MSC(A): -  
 Rated Load Amps RLA (A): 23.3  
 Total Overcurrent Amps (A): 27  
 Dimensions (HxWxD): 52-15/16x35-7/16x12-5/8  
 Net Weight (lbs): 283  
 Compressor Type: Inverter  
 Capacity Control Range (%): 29 - 100  
 Capacity Index Limit: 24 - 62.4 (130%)

Airflow Rate (CFM): 3740  
 Gas Pipe Connection (inch): 5/8  
 Liquid Pipe Connection (inch): 3/8  
 H/L Pressure Connection (inch): \_\_\_\_\_  
 H/L Equalizing Connection (inch): \_\_\_\_\_  
 Water Inlet Connection (inch FPT): \_\_\_\_\_  
 Water Outlet Connection (inch FPT): \_\_\_\_\_  
 Condensate Drain Outlet (inch FPS): \_\_\_\_\_  
 Sound Pressure Level (dBA): 58  
 Sound Power Level (dBA): 69.3c / 68.5h  
 Unit Heat Rejection (kW): \_\_\_\_\_  
 Max. No. of Indoor Units: 8

### System Details

Refrigerant Type: R-410A  
 Holding Refrigerant Charge (lbs): 8.8  
 Additional Charge (oz/ft): install data  
 Pre-charge Piping (Length ft): -  
 Max. Pipe Length (Total ft): 492 ft  
 Max. Pipe Length (Vertical ft): 164 ft / 130 ft

Cooling Operation Range (°F): 23 - 115  
 Cooling Range w/Baffle (°F): \_\_\_\_\_  
 Heating Operation Range (°F): 0 - 77 / -4 - 60  
 Heating Range w/Baffle (°F): \_\_\_\_\_  
 Cooling Inlet Water Temp (°F): \_\_\_\_\_  
 Heating Inlet Water Temp (°F): \_\_\_\_\_  
 Water Flow Range (GPM): \_\_\_\_\_

# Submittal Data Sheet

Project Name: \_\_\_\_\_

Location: \_\_\_\_\_

Engineer: \_\_\_\_\_

Submitted to: \_\_\_\_\_

Submitted by: \_\_\_\_\_

Reference: \_\_\_\_\_

Approval: \_\_\_\_\_

Date: \_\_\_\_\_

Construction: \_\_\_\_\_

Unit #: \_\_\_\_\_

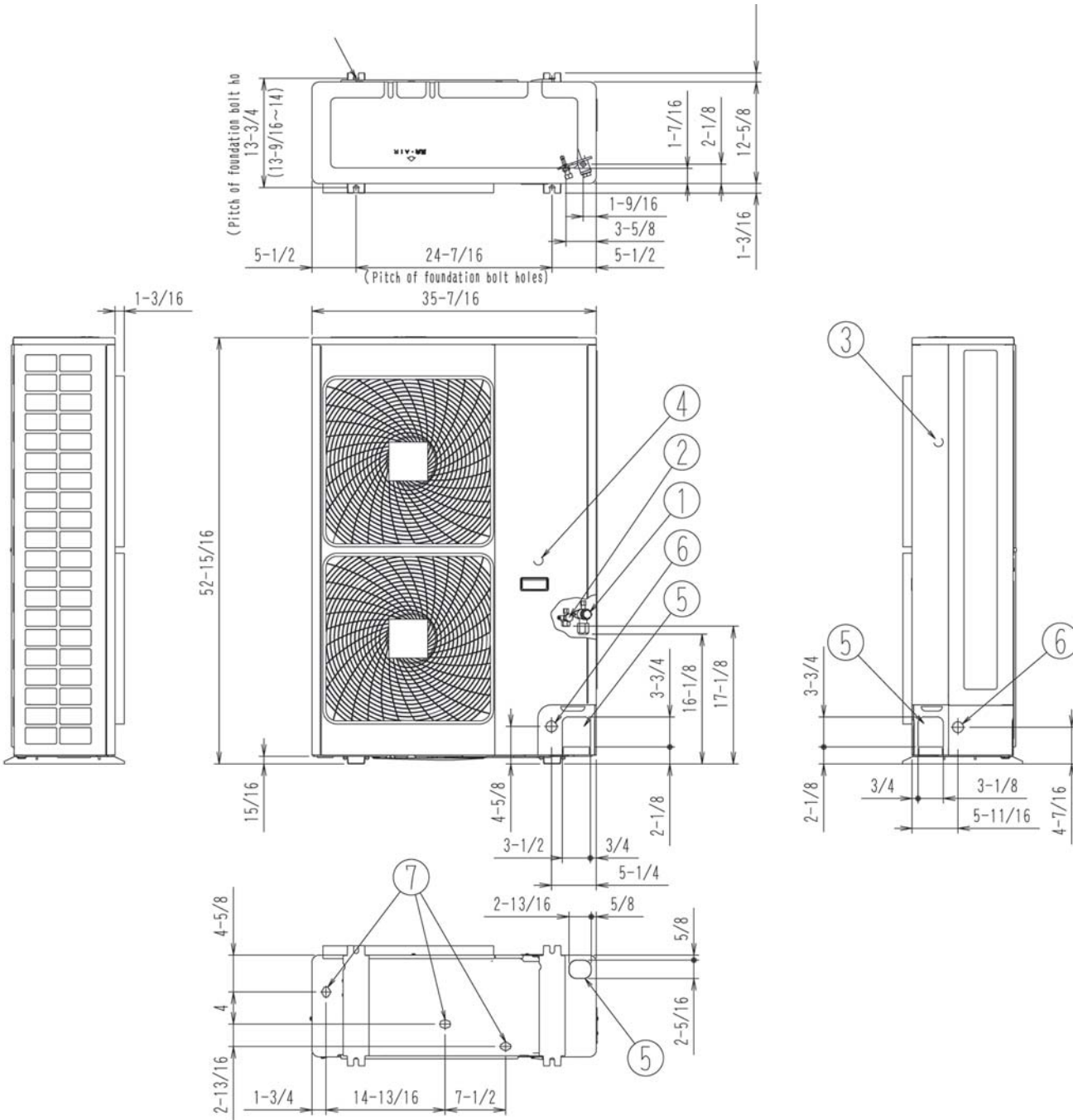
Drawing #: \_\_\_\_\_



Project Name: \_\_\_\_\_  
 Location: \_\_\_\_\_  
 Engineer: \_\_\_\_\_  
 Submitted to: \_\_\_\_\_  
 Submitted by: \_\_\_\_\_  
 Reference: \_\_\_\_\_

Approval: \_\_\_\_\_  
 Date: \_\_\_\_\_  
 Construction: \_\_\_\_\_  
 Unit #: \_\_\_\_\_  
 Drawing #: \_\_\_\_\_

**Dimensional Drawing - Condensing Unit**



Project Name: \_\_\_\_\_  
Location: \_\_\_\_\_  
Engineer: \_\_\_\_\_  
Submitted to: \_\_\_\_\_  
Submitted by: \_\_\_\_\_  
Reference: \_\_\_\_\_

Approval: \_\_\_\_\_  
Date: \_\_\_\_\_  
Construction: \_\_\_\_\_  
Unit #: \_\_\_\_\_  
Drawing #: \_\_\_\_\_

## Notes

Std U.S. Warranty: 6yrs Compressor, 1yrs Parts, 1yr Limited Labor